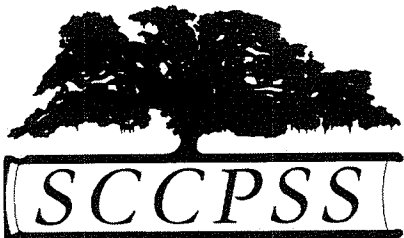


NOTE LEGEND - BY SHEET

NO.	NOTE
14	ADHERE NEW PLASTIC LAMINATE (PL-1) OVER EXISTING ON HORIZONTAL & VERTICAL SURFACES OF UPPER & LOWER COUNTERS, INCLUDING BAND AT FRONT & SIDE FACES OF CABINET. WOOD VENEER TO REMAIN.

PL-1 FORMICA PORTICO MARBLE, ETCHINGS FINISH



MARKETING LAB

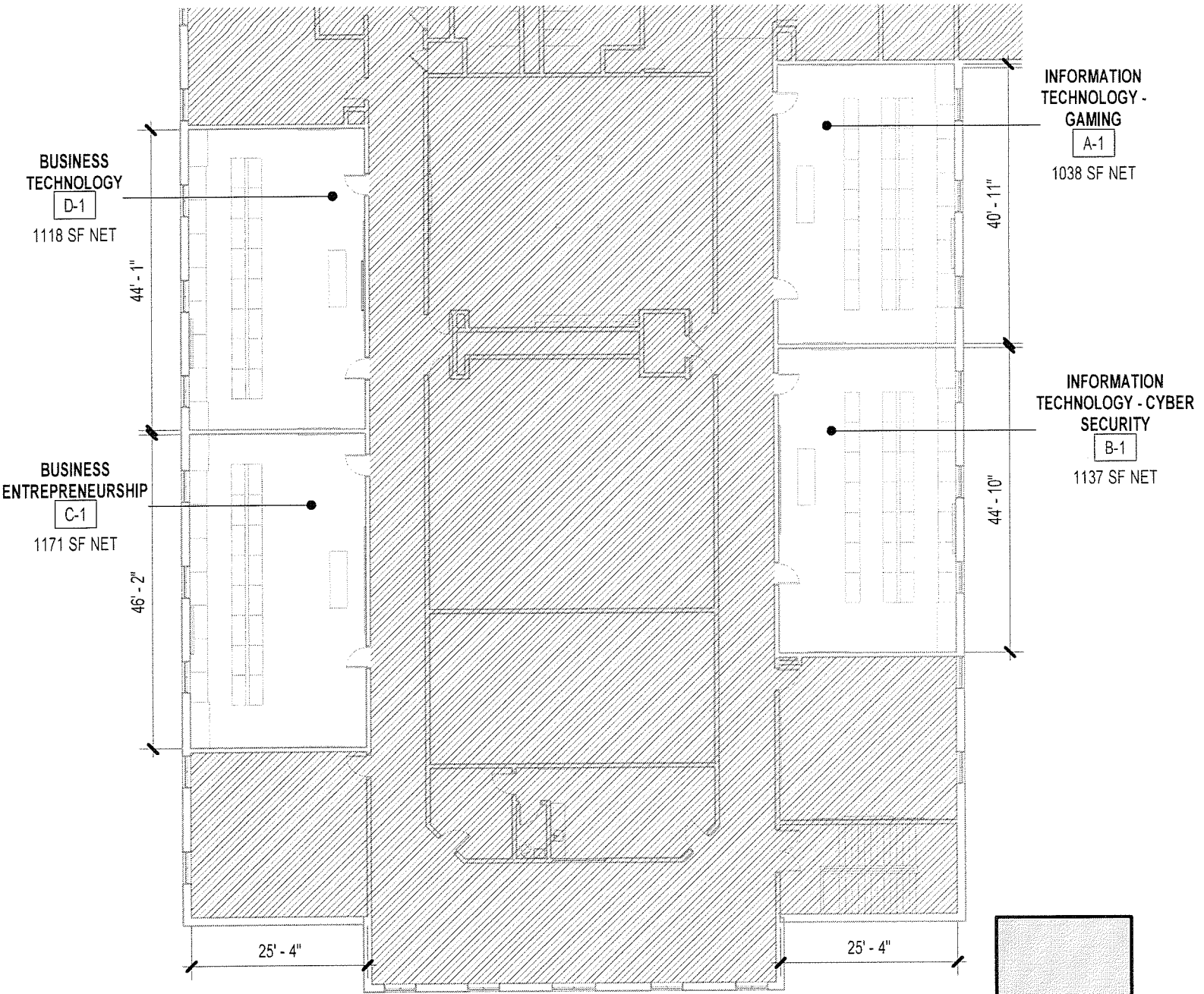
SAVANNAH HIGH SCHOOL -
CTAE LAB IMPROVEMENTS
ADDENDUM NO. 3 - 10/19/2016
SAVANNAH, GEORGIA

SK.1

07/05/16

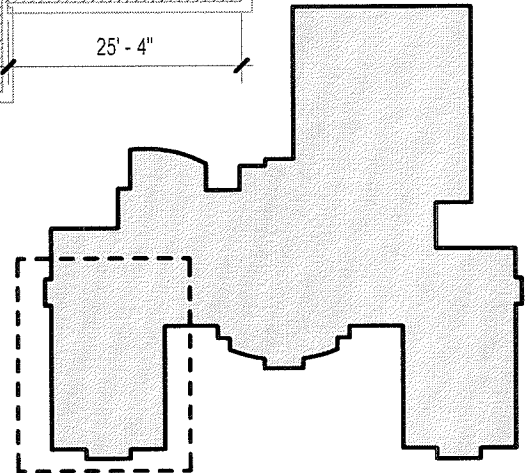
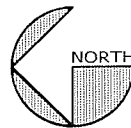
BID PACKAGE II

CogdellMendralaArchitects



NOTE: LABS A-1, B-1, C-1, AND D-1 TO RECEIVE TYPICAL UPGRADES, SEE SK-3 FOR DETAILS.

INSTRUCTOR'S DESKS ARE TO REMAIN AS IS.



SECOND FLOOR

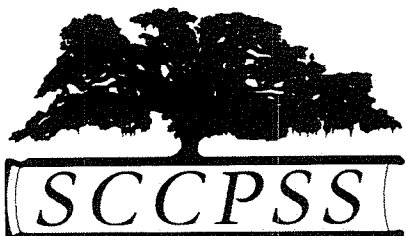
SAVANNAH HIGH SCHOOL -
CTAE LAB IMPROVEMENTS
ADDENDUM NO. 3 - 10/19/2016
SAVANNAH, GEORGIA

SK.2

07/05/16

BID PACKAGE II

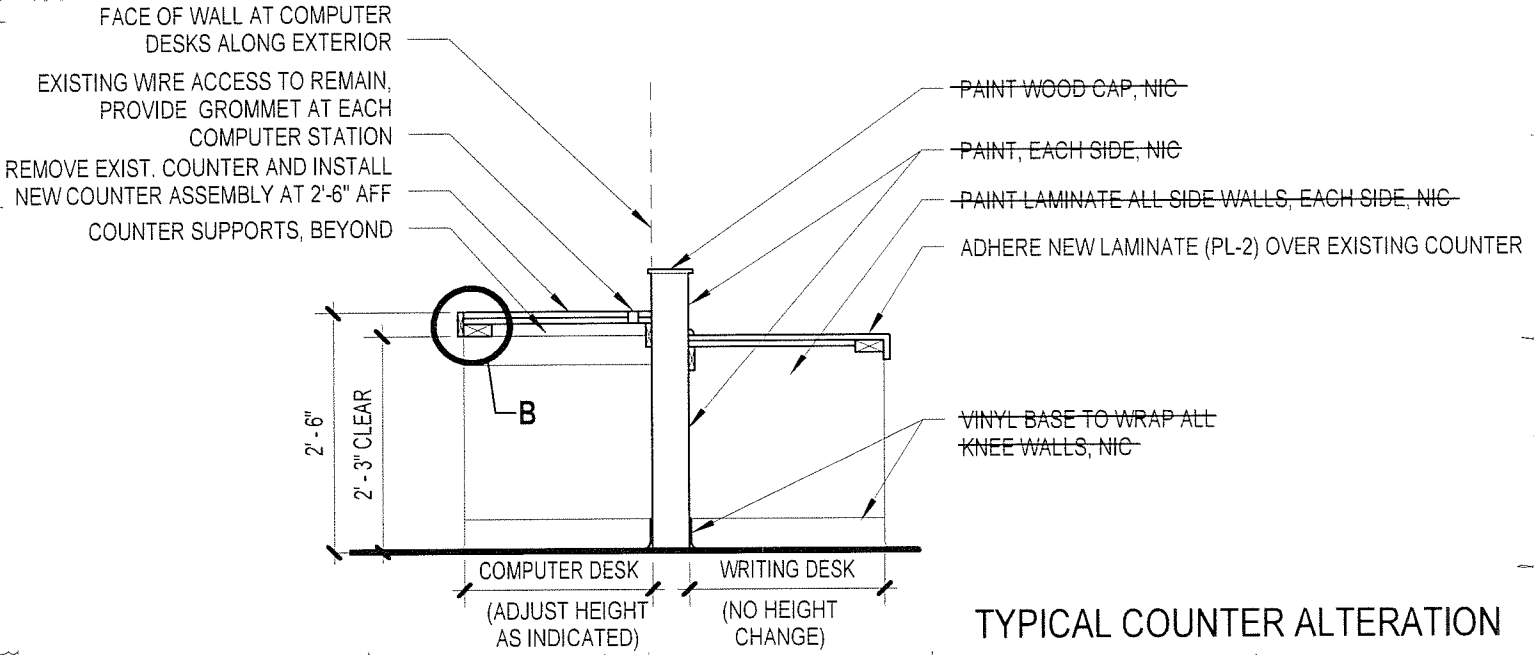
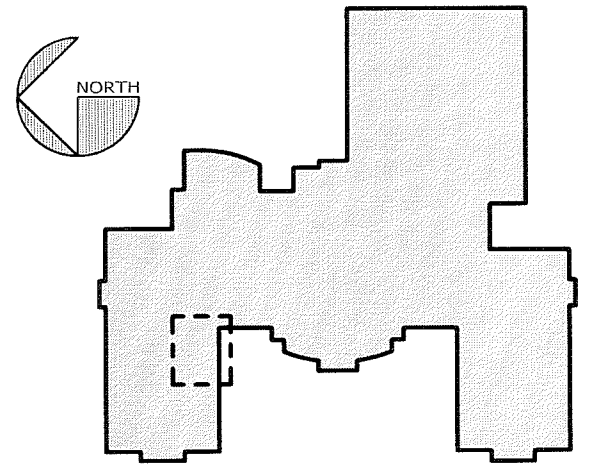
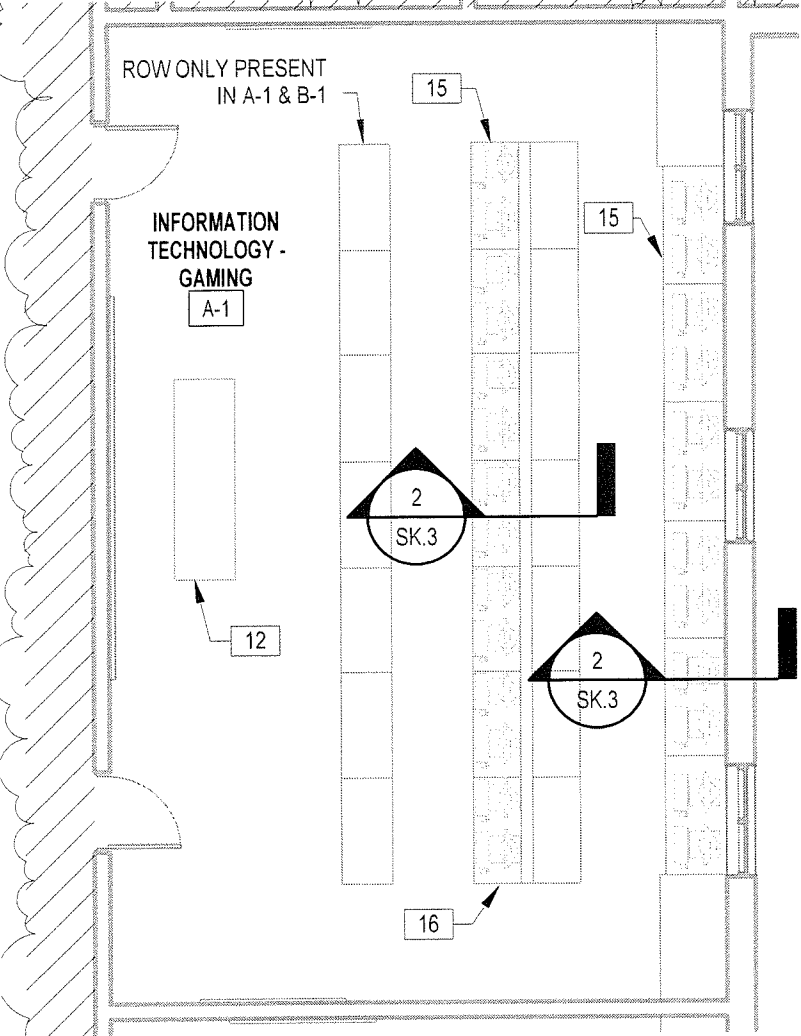
CogdellMendralaArchitects



NOTE LEGEND - BY SHEET

NO.	NOTE
12	INSTRUCTOR'S DESK TO REMAIN AS IS.
15	RAISE COMPUTER STATION COUNTER AS INDICATED IN DETAIL, APPLIES TO ALL STATIONS THIS ROW.
16	FINISH EACH END OF RAISED COUNTER, REFER TO COUNTER END DETAIL ON SK.4.

PL-2 FORMICA ENDLESS INDIGO, MATTE FINISH



TYPICAL COUNTER ALTERATION

TYP. 2ND FLOOR LAB

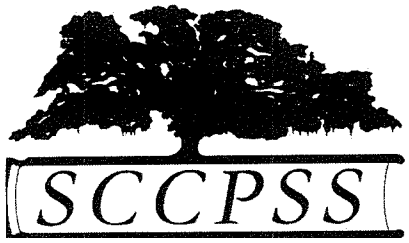
SK.3

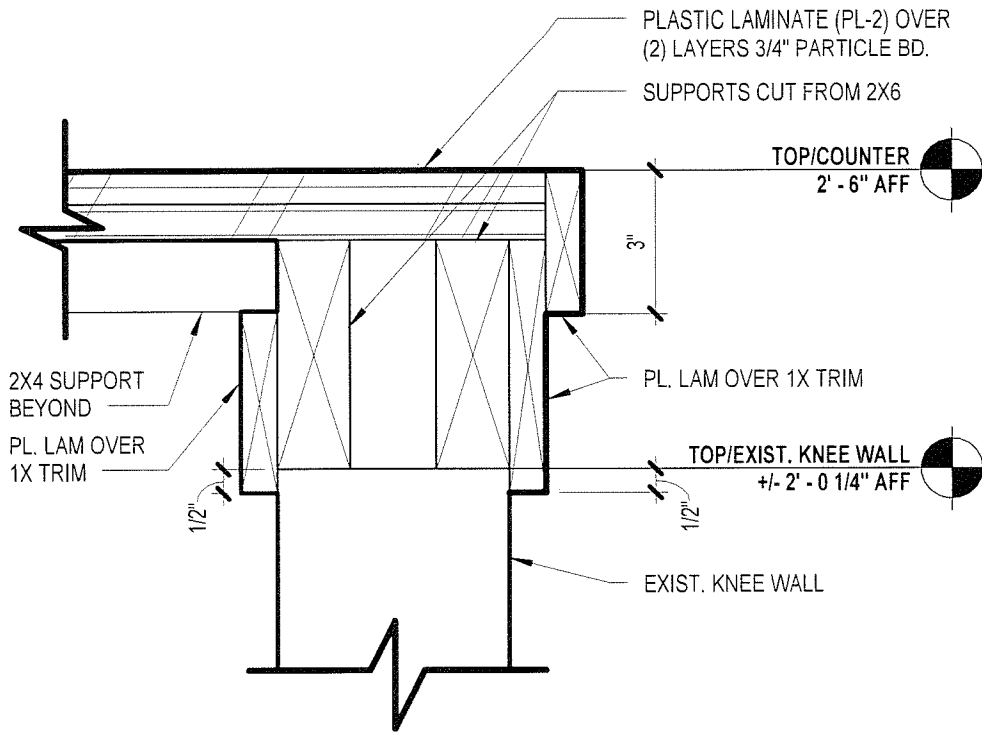
SAVANNAH HIGH SCHOOL -
CTAE LAB IMPROVEMENTS
ADDENDUM NO. 3 - 10/19/2016
SAVANNAH, GEORGIA

07/05/16

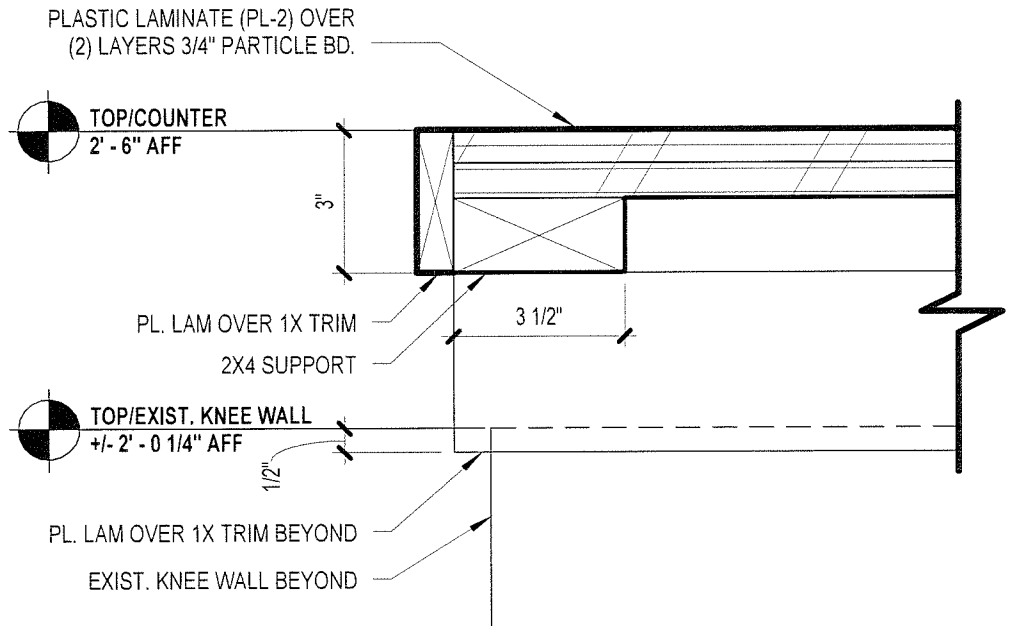
BID PACKAGE II

CogdellMendralaArchitects

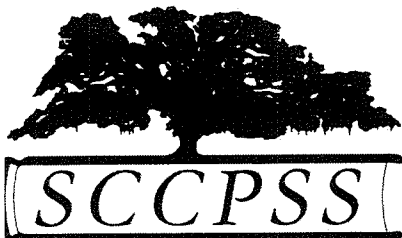




A COUNTER END DETAIL @ RAISED DESK
3" = 1'-0"



B ENLARGED COUNTER DETAIL
3" = 1'-0"



COUNTERTOP DETAILS

SAVANNAH HIGH SCHOOL -
CTAE LAB IMPROVEMENTS
ADDENDUM NO. 3 - 10/19/2016
SAVANNAH, GEORGIA

CogdellMendralaArchitects

SHEET 3 OF 4

SK.4

10/18/16

BID PACKAGE II