



Project \_\_\_\_\_  
 AIA # \_\_\_\_\_ SIS # \_\_\_\_\_  
 Item # 9 Quantity \_\_\_\_\_ C.S.I. Section 114000



TRAULSEN MILK COOLERS

**RMC SERIES**  
 MILK COOLER  
 12 CRATE CAPACITY MODELS



Model Shown - RMC49D4

**STANDARD PRODUCT FEATURES**

- Stainless Steel Exterior & Interior
- Top Mounted Removable Refrigeration System
- Forced Air Refrigeration System
- Accommodates [12] 13" x 13" Crate(s) or [6] 13" x 19" Crate(s)
- Single or Double Sided
- Sliding Lift Up & Down Door(s)
- Reinforced Cabinet Exterior Bottom
- Heavy Duty Dunnage Racks Protect Cabinet & Promote Airflow
- Lockable Insulated Doors
- Metal Door Handles
- Magnetic Snap-In EZ- Clean Door Gasket(s)
- Floor Drain with Plug
- 8' Cord & Plug Attached
- Set of Four [4] 6" or 4" Factory Mounted Adjustable Casters
- 3-Year Parts & Labor Warranty
- 2-Year Additional Compressor Parts Warranty



This unit is listed to the applicable UL, CSA and NSF Standards by an approved NRTL. Consult the factory or unit's data plate for approval information.

**ACCESSORIES & OPTIONS (\*field installed)**

- MCACC-BUMPER, Bumper Corner Guard Kit [4]

**AVAILABLE CONFIGURATIONS**

**Single Access Models**

- RMC49S4 12 Crate 49" Length, 4" Casters
- RMC49S6 12 Crate 49" Length, 6" Casters

**Double Access Models**

- RMC49D4 12 Crate 49" Length, 4" Casters
- RMC49D6 12 Crate 49" Length, 6" Casters

CONTINUED PRODUCT DEVELOPMENT MAY NECESSITATE SPECIFICATION CHANGES WITHOUT NOTICE.

Approved by \_\_\_\_\_ Date \_\_\_\_\_ Approved by \_\_\_\_\_ Date \_\_\_\_\_

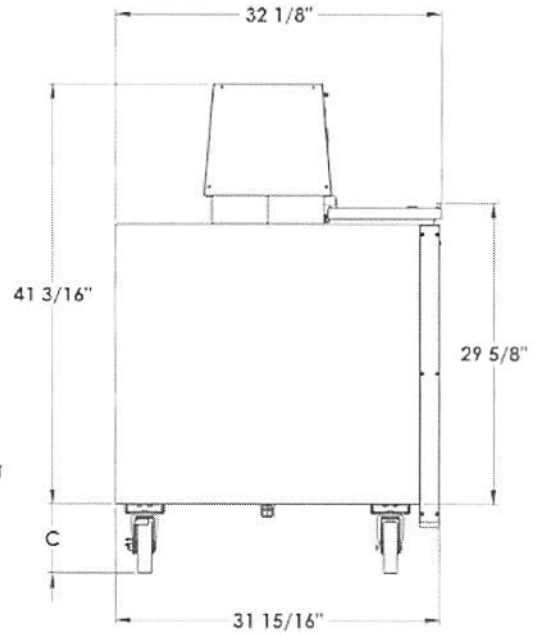
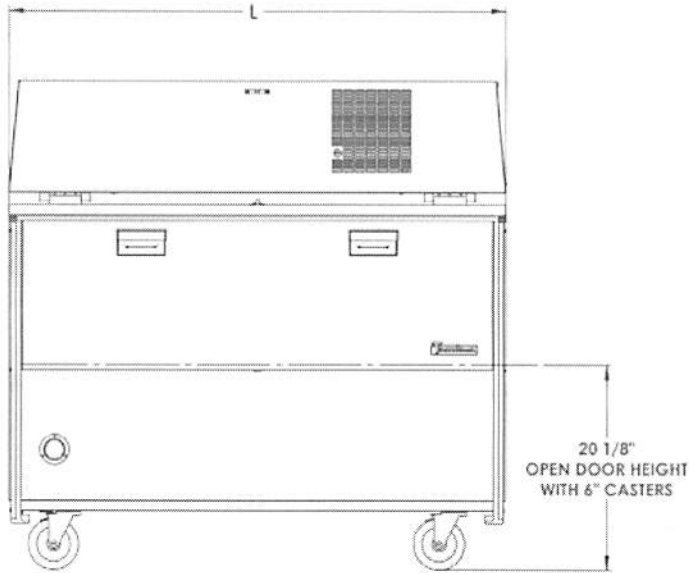


MODELS

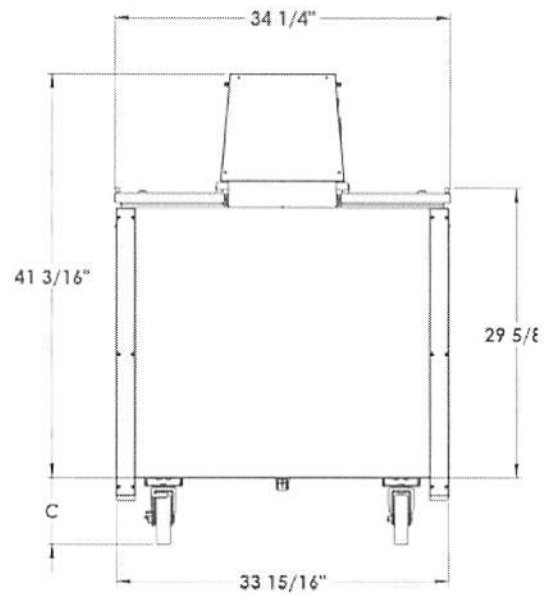
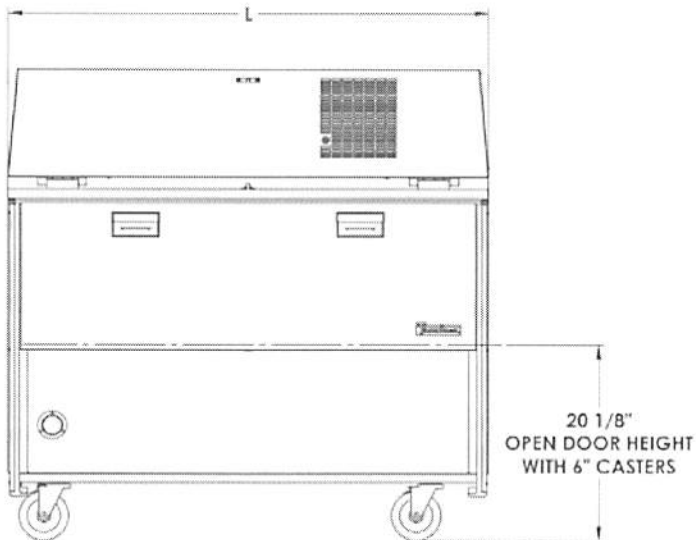
Single Access Models: RMC49S4, RMC49S6  
Double Access Models: RMC49D4, RMC49D6



Single Access Models



Double Access Models





Project \_\_\_\_\_  
 AIA # \_\_\_\_\_ SIS # \_\_\_\_\_  
 Item # \_\_\_\_\_ Quantity \_\_\_\_\_ C.S.I. Section 114000



TRAULSEN MILK COOLERS

# RMC SERIES

## MILK COOLER

### 12 CRATE CAPACITY MODELS

#### MODELS

Single Access Models: RMC49S4, RMC49S6  
 Double Access Models: RMC49D4, RMC49D6

#### EQUIPMENT SPECIFICATIONS

MODELS	RMC49
<b>DIMENSIONAL DATA</b>	
Net Crate Capacity 13 x 13 in. <sup>1</sup>	12
Net Crate Capacity 13 x 19 in. <sup>1</sup>	8
Length (L)-Overall in.	49 (124.5 cm)
Depth-Single Cabinet Only in.	32 1/2 (81.6 cm)
Depth-Double Cabinet Only in.	34 1/2 (87 cm)
Height-Overall on 6" Casters	48 (124.5 cm)
Net Weight uncrated lbs. [kg]	518 (235)
<b>ELECTRICAL DATA</b>	
Voltage	115/60/1
Single Access Full Load Amperes   MDEC <sup>2</sup>	7.2   2.13 KWH/Day
Double Access Full Load Amperes   MDEC <sup>2</sup>	7.2   2.18 KWH/Day
NEMA Plug Type	5-15P
Single Access Cabinet Volume	17.65
Double Access Cabinet Volume	18.77
<b>REFRIGERATION DATA</b>	
Refrigerant	R-450A
Refrigerant Amount oz. [gr]	12.5 (354)
BTU <sup>3</sup> /HR	1945

#### CONSTRUCTION, HARDWARE, INSULATION

Cabinet exterior and interior is constructed of stainless steel. Interior sides, back and front are also stainless steel. The exterior cabinet bottom is constructed of stainless steel. Gasket profile and Santoprene<sup>®</sup> material simplify cleaning and increase overall gasket life. Both the cabinet and doors are insulated with non-CFC, foamed in place polyurethane.

#### DOOR/ACCESS

Front sliding protects gasket(s). Lockable lift up top access door.

#### REFRIGERATION SYSTEM

A balanced, top mounted side and front and rear breathing, refrigeration system using environmentally friendly, non-flammable R-450A refrigerant is provided. It features an air-cooled hermetic compressor and a forced air evaporator coil. Dial thermometer. An 8' cord and plug is provided. Standard operating temperature is 34° to 38°F (1.1° to 3.3°C).

#### INTERIOR/DUNNAGE RACKS

Heavy duty removable dunnage racks protect cabinet and promote airflow.

#### WARRANTIES

Both a three year parts and labor warranty and five year compressor parts warranty.

#### NOTE:

- \* Figures in parentheses reflect metric equivalents.
- 1. Net Capacity cu. ft.
- 2. MDEC = Maximum Daily Energy Consumption
- 3. Based on a 90°F ambient and 20°F evaporator.



Equipped With One NEMA 5-15 P Plug

Note: When ordering please specify: Door Access, Caster Height and Other Options. Continued product development may necessitate specification changes.

Approved by \_\_\_\_\_ Date \_\_\_\_\_ Approved by \_\_\_\_\_ Date \_\_\_\_\_