



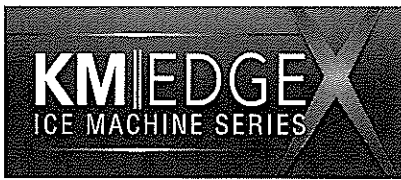
# KM-350/520/660M\_J



KM-350/520/660M\_J  
02/05/20  
Item # 13260



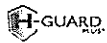
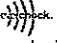
## SLIM-LINE MODULAR CRESCENT CUBER

**W x D x H**  
22" x 27<sup>3/8</sup>" x 28"



Item #: \_\_\_\_\_  
Project: \_\_\_\_\_  
Qty: \_\_\_\_\_  
ATA#: \_\_\_\_\_

### Features

- ▶ Individual crescent cube
- ▶ Factory-installed ultrasonic bin control can be adjusted on site
- ▶ Simple, one-hour cleaning process 
- Durable construction with fewer parts
- Self-diagnostic programming automatically adjusts to changing conditions
- Snap fit parts for easy cleaning
- Stainless steel double-sided evaporator
- CycleSaver™ design 
- Protected by H-GUARD PLUS Antimicrobial Agent 
- EverCheck™ alert system 
- Removable air filters (air-cooled model only)
- R-404A Refrigerant

#### Air-Cooled

- KM-350MAJ ★
- KM-520MAJ ★
- KM-660MAJ

Air-cooled model shown on optional bin: B-300

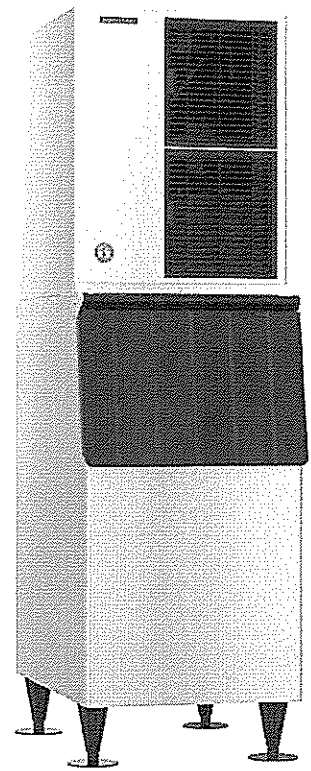


#### Water-Cooled

- KM-350MWJ
- KM-520MWJ
- KM-660MWJ

#### Remote Air-Cooled

- KM-520MRJ ★
- KM-660MRJ



Available on Bins/Dispensers:  
 B-250PF    B-500PF/SF    B-800PF/SF    B-1150SS    DB-130H  
 B-300PF/SF    B-700PF/SF    B-900PF/SF    B-1300SS    DB-200H  
 DM-200B  
*Top kit may be required. See Bin Spec Sheets.*

Warranty:  
 3 Year Parts & Labor on entire machine 5 Year Parts & Labor on evaporator  
 5 Year Parts on Compressor; air-cooled condenser coil  
 Valid in United States, Canada, Puerto Rico and U.S. Territories. Contact factory for warranty in other countries.  
 Shipping: (L-W-H) 33" x 25.25" X 34.5" Volume: 16.64ft<sup>3</sup>

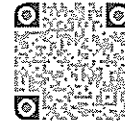
| Condenser | Model       | ICE PRODUCTION             |                            |                           |                             | WATER USAGE           |                                      |          | ELECTRICAL |                                  |                        |                                 |                          |
|-----------|-------------|----------------------------|----------------------------|---------------------------|-----------------------------|-----------------------|--------------------------------------|----------|------------|----------------------------------|------------------------|---------------------------------|--------------------------|
|           |             | Air / Water Temp           |                            | Potable Gal. per 100 lbs. | Condenser Gal. per 100 lbs. | kWh Used per 100 lbs. | Min. Circuit Amp - Max. Fuse/Breaker | Amperage | Voltage    | Circuit Wires (excluding ground) | Heat Rejection BTU/hr. | Refrigerant Charge Amount       | Net / Ship Weight (lbs.) |
|           |             | Lbs. per 24 hours 70°/50°F | Lbs. per 24 hours 90°/70°F |                           |                             |                       |                                      |          |            |                                  |                        |                                 |                          |
| Air       | KM-350MAJ ★ | 489                        | 393                        | 14.5                      | N/A                         | 5.42                  | 15A                                  | 9.05A    | 115V/60/1  | 3                                | 5,700                  | 1 lb. 3.4 oz.                   | 125 / 175                |
| Water     | KM-350MWJ   | 414                        | 383                        | 15.5                      | 109                         | 4.90                  | 15A                                  | 7.5A     | 115V/60/1  | 3                                | 6,600                  | 11.6 oz.                        | 126 / 175                |
| Air       | KM-520MAJ ★ | 556                        | 480                        | 14.7                      | N/A                         | 4.68                  | 20A                                  | 10.6A    | 115V/60/1  | 3                                | 6,600                  | 1 lb. 10.8 oz.                  | 131 / 175                |
| Water     | KM-520MWJ   | 474                        | 444                        | 14.8                      | 75                          | 4.65                  | 20A                                  | 8.45A    | 115V/60/1  | 3                                | 6,300                  | 12.7 oz.                        | 127 / 175                |
| Remote    | KM-520MRJ ★ | 547                        | 495                        | 13.6                      | N/A                         | 4.80                  | 20A                                  | 12.05A   | 115V/60/1  | 3                                | 6,200                  | 2 lb. 4.7 oz.<br>4 lb. 2.7 oz.* | 122 / 175                |
| Air       | KM-660MAJ   | 665                        | 617                        | 14.8                      | N/A                         | 5.12                  | 20A                                  | 15.2A    | 115V/60/1  | 3                                | 8,000                  | 1 lb. 9.8 oz.                   | 131 / 180                |
| Water     | KM-660MWJ   | 669                        | 668                        | 16.1                      | 152                         | 4.28                  | 20A                                  | 12.35A   | 115V/60/1  | 3                                | 8,900                  | 15.2 oz.                        | 130 / 180                |
| Remote    | KM-660MRJ   | 646                        | 602                        | 14.7                      | N/A                         | 5.60                  | 20A                                  | 16.1A    | 115V/60/1  | 3                                | 8,100                  | 2 lb. 4.7 oz.<br>4 lb. 2.7 oz.* | 122 / 180                |

\* (with condenser)

Power cord not included. Must be hard-wired at site.  
 Hoshizaki reserves the right to change specifications without notice.



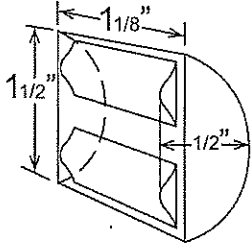
# KM-350/520/660M\_J



KM-350/520/660M\_J  
02/05/20  
Item # 13260

## SLIM-LINE MODULAR CRESCENT CUBER

### KM Edge Cube Dimensions<sup>1</sup>



<sup>1</sup> approximate size in inches, image not to scale

### Operating Limits

- Ambient Temp Range 45 - 100°F
- Water Temp Range 45 - 90°F
- Water Pressure 10 - 113 PSIG
- Voltage Range 104 - 127V

### Service

- Panels easily removed and all components accessible for service.
- Removable/cleanable air filters. (Air-cooled model only)
- Allow 6" (15 cm) clearance at rear, sides, and top for proper air circulation and ease of maintenance/service.

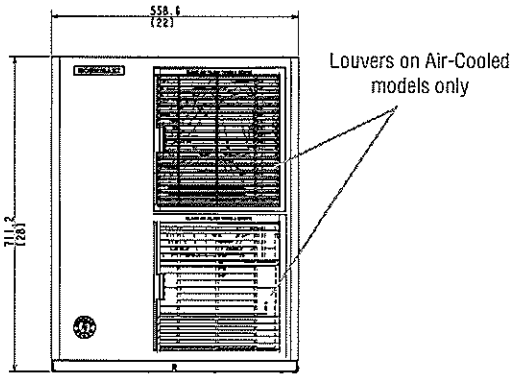
### Plumbing

- Icemaker water supply line: minimum 1/4" nominal ID copper water tubing or equivalent
- Icemaker drain line: minimum 3/4" nominal ID hard pipe or equivalent Water-Cooled Model (Lines Must Be Independent of Icemaker)
- Condenser water supply line: minimum 1/4" nominal ID copper water tubing or equivalent
- Condenser drain/return line: minimum 1/4" nominal ID hard pipe (open drain system) or copper water tubing (closed loop system) or equivalent

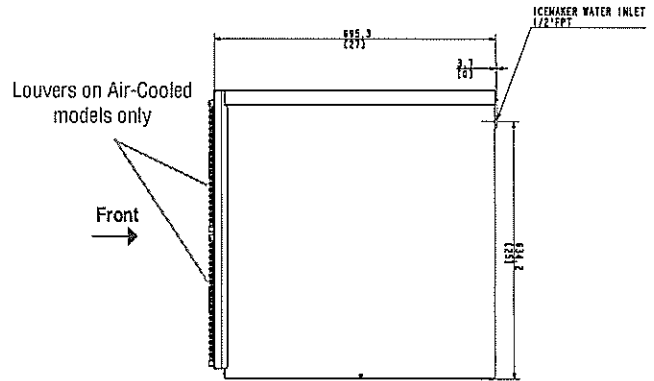
### Water Filter

Please refer to water filter specification sheet for recommendations.

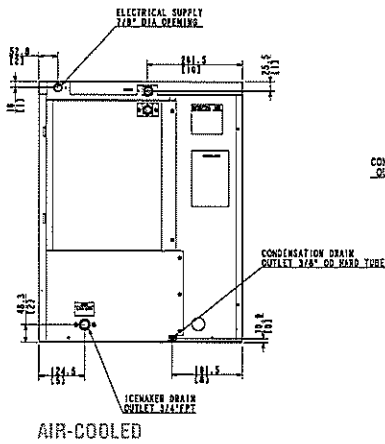
FRONT VIEW



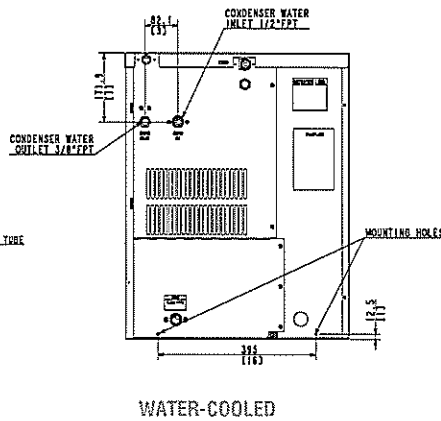
SIDE VIEW



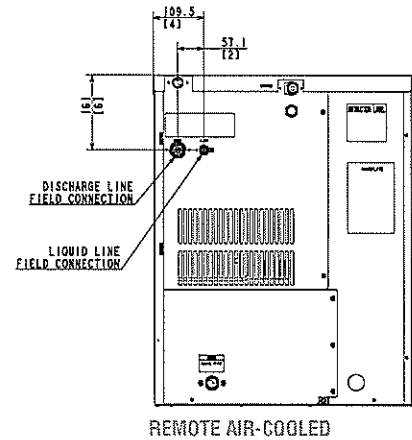
REAR VIEW



AIR-COOLED

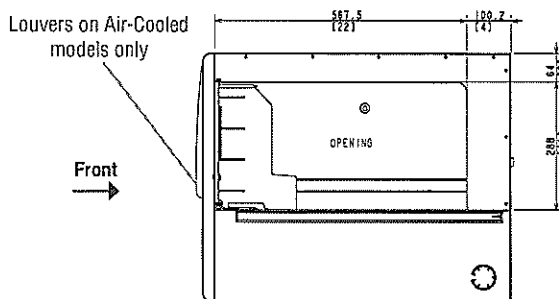


WATER-COOLED

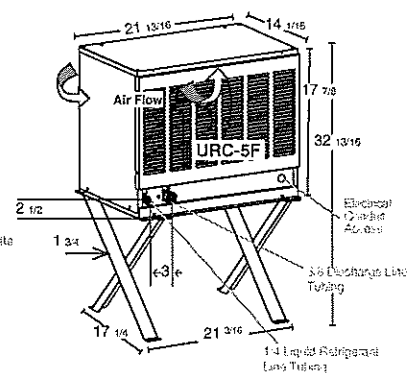


REMOTE AIR-COOLED

BOTTOM VIEW



URC-5F Remote Condenser (Sold Separately)  
(W x D x H) 21<sup>13/16</sup> x 14<sup>1/16</sup> x 32<sup>13/16</sup>  
For Use with KM-520MRJ and KM-660MRJ

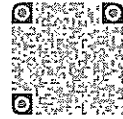


Pre-Charged Tubing Kits (Sold Separately)  
20' R404-2046-2  
35' R404-3546-2  
Voltage supply for the URC Remote Condenser is supplied from the Ice Maker. No additional circuit is required.



# SF Bins

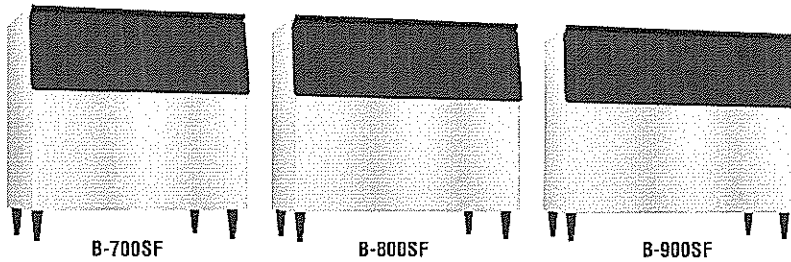
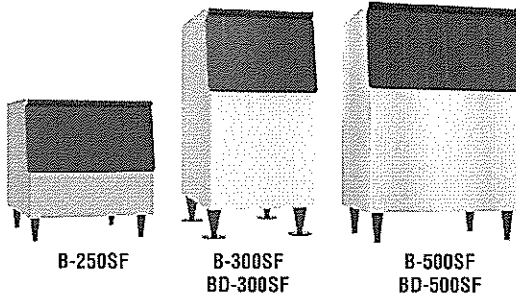
## ICE STORAGE BIN SERIES




SF Bins  
12/11/20  
Item # 13163

Item #: \_\_\_\_\_  
Project: \_\_\_\_\_  
Qty: \_\_\_\_\_  
AIA#: \_\_\_\_\_

SF - Stainless Steel Finish



### Features

- ▶ Protected by H-GUARD Plus Antimicrobial Agent 
- ▶ Polyethylene bin liner for sanitary storage
- ▶ Sturdy construction for side-by-side or stacked ice machine installation

- Ice storage capacity from 250 lbs. up to 900 lbs.
- Both surfaces are designed for easy cleaning
- Long lasting attractive appearance
- Foamed-in-place polyurethane insulation, in all bin walls and bottom, provides dependable ice storage
- H-GUARD Plus Antimicrobial adds extra protection to the ice scoop (included)

SF - Stainless Steel Finish

### BD Bins

- Fit 24" - 24 1/2" deep ice machine without top kit extension

#### Warranty:

2 Year Parts & Labor (Production prior to January 2012)

3 Year Parts & Labor (Production January 2012 and after)

Valid in United States, Canada, Puerto Rico and U.S. Territories. Contact factory for warranty in other countries.



Intertek

| Model Number | Exterior Dimensions<br>W x D x H* | Interior Dimensions<br>W x D x H | Application<br>Storage Capacity† | Cubic Volume          | Shipping Dimensions<br>L x W x H | Shipping Weight (lbs.) |
|--------------|-----------------------------------|----------------------------------|----------------------------------|-----------------------|----------------------------------|------------------------|
| B-250SF      | 30" x 32.3" x 33.4"               | 27" x 27.7" x 23.7"              | 250 lbs.                         | 10.30 ft <sup>3</sup> | 35" x 32" x 32"                  | —                      |
| B-300SF      | 22" x 32.3" x 46"                 | 19" x 27.7" x 37.6"              | 300 lbs.                         | 11.51 ft <sup>3</sup> | 35" x 24" x 45"                  | 125                    |
| BD-300SF     | 22" x 32.3" x 46"                 | 19" x 27.7" x 37.6"              | 300 lbs.                         | 11.51 ft <sup>3</sup> | 35" x 24" x 45"                  | 130                    |
| B-500SF      | 30" x 32.3" x 46"                 | 27" x 27.7" x 37.6"              | 500 lbs.                         | 16.33 ft <sup>3</sup> | 35" x 32" x 45"                  | 140                    |
| BD-500SF     | 30" x 32.3" x 46"                 | 27" x 27.7" x 37.6"              | 500 lbs.                         | 16.33 ft <sup>3</sup> | 35" x 32" x 45"                  | 140                    |
| B-700SF      | 44" x 32.3" x 46"                 | 41" x 27.7" x 37.6"              | 700 lbs.                         | 24.77 ft <sup>3</sup> | 46" x 35" x 45"                  | 175                    |
| B-800SF      | 48" x 32.3" x 46"                 | 45" x 27.7" x 37.6"              | 800 lbs.                         | 26.90 ft <sup>3</sup> | 50.25" x 35" x 45"               | 185                    |
| B-900SF      | 52" x 32.3" x 46"                 | 49" x 27.7" x 37.6"              | 900 lbs.                         | 29.59 ft <sup>3</sup> | 54.5" x 35" x 45"                | 195                    |

\*Height includes 6" legs

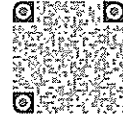
† Capacity based on volume x 30 lb/ft<sup>3</sup> average density of ice.

Hoshizaki reserves the right to change specifications without notice.



# SF Bins

## ICE STORAGE BIN SERIES



SF Bins  
12/11/20  
Item # 13163

### Ice Machine Model Application

|                                   | 22" Width  | 22" Width  | 30" Width  | 30" Width   | 44" Width   | 44" Width   | 48" Width  |
|-----------------------------------|--|--|--|---|---|---|--|
|                                   | KM-350M<br>KM-520M<br>KM-660M<br>F-450M<br>F-801M<br>F-1002M | KMD-410M <sup>†</sup><br>KMS-822M <sup>†</sup><br>FD-650M-C <sup>†</sup><br>FD-1002M-C | KM-901M<br>KM-1340M<br>KM-1601M<br>KML Series<br>F-1501M<br>F-2001 | KMD-460M <sup>†</sup><br>KMD-530M <sup>†</sup><br>KMD-860M <sup>†</sup><br>KMS-1402M <sup>†</sup><br>KMS-2000M <sup>†</sup> | 2 KM-350M<br>2 KM-520M<br>2 KM-660M<br>IM-500S<br>2 F-450M<br>2 F-801M<br>2 F-1002M | 2 KMD-410M<br>2 KMS-822M<br>2 FD-650M-C<br>2 FD-1002M-C | KM-1301S<br>KM-1400S<br>KM-1601S<br>KM-1900S<br>KM-2200S<br>KM-2600S |
| <b>Bins</b><br>B-300SF<br>DB-130H | —<br><i>(DB-130H - KMD only)</i>                             | NEED<br>HS-5424<br><i>(DB-130H - KMD only)</i>   | N/A  | N/A   | N/A   | N/A   | N/A  |
| <b>Bins</b><br>B-250SF<br>B-500SF | NEED<br>HS-2033  | NEED<br>HS-2033<br>& HS-2129   | —  | NEED<br>HS-2129   | N/A   | N/A   | N/A  |
| <b>Bins</b><br>B-700SF            | NEED<br>HS-2035  | NEED<br>HS-2035<br>& HS-2130   | NEED<br>HS-2034  | NEED<br>HS-2130<br>& HS-2034  | —   | NEED<br>HS-2130<br><i>(KMD-410 does not apply)</i>      | N/A  |
| <b>Bins</b><br>B-800SF            | NEED<br>HS-2035<br>& HS-2032                                 | NEED<br>HS-2035,<br>HS-2032<br>& HS-2131   | NEED<br>HS-2034<br>& HS-2032                                       | NEED<br>HS-2131,<br>HS-2034<br>& 2032   | NEED<br>HS-2032   | NEED<br>HS-2032<br>& HS-2131                            | —  |
| <b>Bins</b><br>B-900SF            | NEED<br>HS-2035 &<br>HS-2033                                 | NEED<br>HS-2035,<br>HS-2033 &<br>HS-2132   | NEED<br>HS-2035  | NEED<br>HS-2132<br>& HS-2035  | NEED<br>HS-2033   | NEED<br>HS-2033<br>& HS-2132                            | NEED<br>HS-2032  |
| <b>Bins</b><br>DB-200H<br>DM-200B | NEED<br>HS-2036<br><i>(KML units only)</i>                   | N/A  | —<br><i>(KML only)</i>   | N/A   | N/A   | N/A   | N/A  |

— No top kit necessary | N/A Combination of ice maker and bin is not possible

BD Bins fit 24" - 24 1/2" deep ice machine without Top Kit extension.

† BD-300SF: KMD-410M, KMS-822M, FD-650M-C, FD-1002M-C

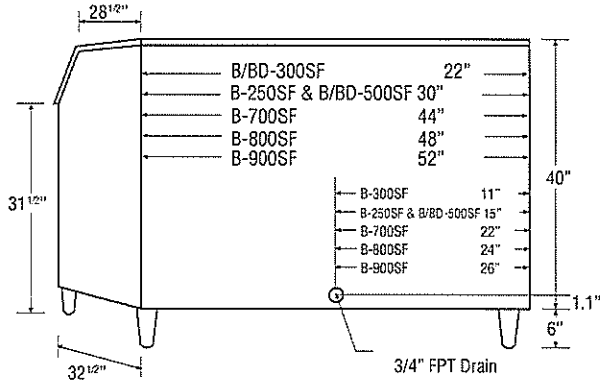
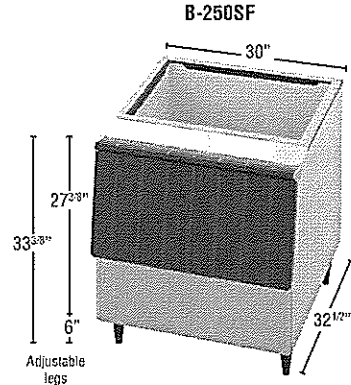
‡ BD-500SF: KMD-460M, KMD-530, KMD-860

\* Any KMS or FD on bin need Top Kit Extension (excludes KMS-830MLH):

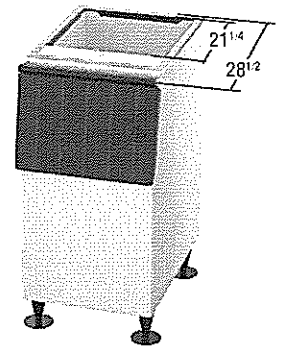
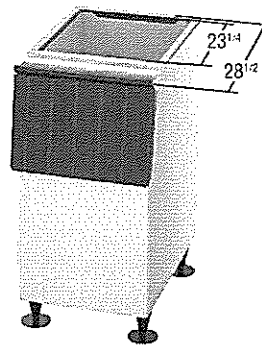
- HS-2129 - for use with B-500 bins
- HS-2130 - for use with B-700 bins
- HS-2131 - for use with B-800 bins
- HS-2132 - for use with B-900 bins

#### Top Kits:

- HS-2032 - 4" ABS Top Kit
- HS-2033 - 8" ABS Top Kit
- HS-2034 - 14" ABS Top Kit
- HS-2035 - 22" ABS Top Kit
- HS-2036 - (2) 4" ABS Top Kits
- HS-2071 - Leg Seismic Kit
- HS-2111 - 11.3" x 26.2" Stainless Cover/Separator
- HS-2148 - 30" x 3.1" Stainless Cover
- HS-2160 - 2 KM-901M



### Ice Drop Area



**B Bins**

**BD Bins**



**Bin Flanged Legs:**  
B/BD-300SF

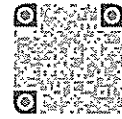


**Bin Legs:**  
B-250SF, B/BD-500SF  
B-700SF, B-800SF  
B-900SF



# WATER FILTERS

## FILTRATION SYSTEMS

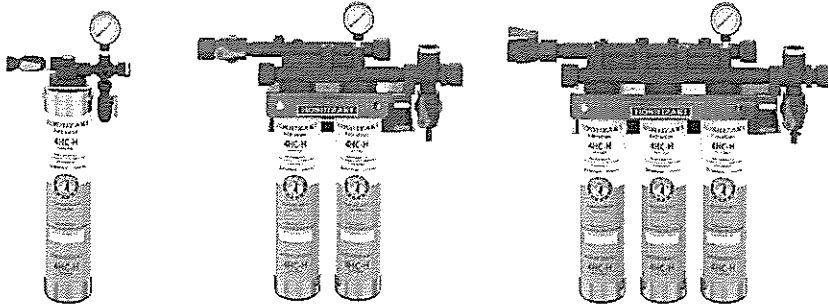


WATER FILTERS  
06/26/20  
Item # 13076

Item #: \_\_\_\_\_  
Project: \_\_\_\_\_  
Qty: \_\_\_\_\_  
AIA#: \_\_\_\_\_

### H9320 FILTER

Single, Double, Triple



**H9320-51**

**H9320-52**

**H9320-53**

**Single Configuration**  
18.4" H\*

**Double Configuration**  
19.11" H\*

**Triple Configuration**  
19.15" H\*

\*height includes manifold and cartridge

### HOSHIZAKI H9320 FILTER

Available in single, double and triple configurations. Rated NSF Class 1, STD 42. for taste, odor and chlorine reduction and for mechanical filtration (95.6% removal of particles one (1) micron and larger in size.)

- Keep ice makers functioning at full capacity
- 93.7% average reduction of chlorine from incoming water supply, eliminating tastes and odors of the ice
- Filters are rated as one (1) micron nominal producing crystal clear ice
- Decrease machine maintenance by reducing lime scale build-up

| Model    | Filter | Max Flow Rate | Working Pressure | Temperature | Capacity   |
|----------|--------|---------------|------------------|-------------|------------|
| H9320-51 | 4HC-H  | 2 gpm         | 10-125 psi       | 35-100°F    | 21,000 gal |
| H9320-52 | 4HC-H  | 4 gpm         | 10-125 psi       | 35-100°F    | 42,000 gal |
| H9320-53 | 4HC-H  | 6 gpm         | 10-125 psi       | 35-100°F    | 63,000 gal |

### Plumbing

Inlet/Outlet Connections: Single: (2) 3/8" FNPT  
Double & Triple: (1) 3/4" MNPT / (1) 3/4" FNPT

The H9320 Filters and their respective cartridges have been tested and listed by NSF only for the functions listed above. Check for compliance with state and local laws and regulations. Do not use where the water is microbiologically unsafe, or with waters of unknown quality without adequate disinfection before or after the unit. The H9320 filter can be used with water that may contain filterable cysts.



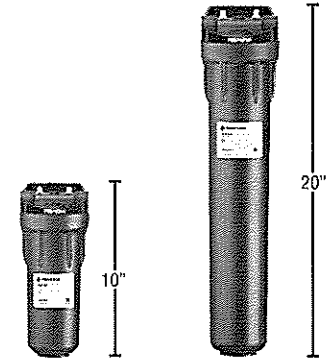
The H9320 System is tested and certified by NSF International against NSF/ANSI Standard 42 for the reduction of:  
Std. No. 42 - Aesthetic effects  
*Aesthetic Effects*      *Mechanical Filtration*  
*Bacteriostatic Effects*      *Nominal Particulate Class 1*  
*Chemical Reduction*      *Taste & Odor*  
Chlorine

### E-10 PREFILTER

(9795-80)

### E-20 PREFILTER

(9795-90)



**E-10 PREFILTER**  
(9795-80)  
Recommended for single configuration

**E-20 PREFILTER**  
(9795-90)  
Recommended for twin and triple configuration

E-10 and E-20 Prefilters can be used for ice. Everpure prefilters are designed to increase the life of Hoshizaki 4HC-H water filters in areas with an unusual amount of dirt in the water. With a 10 micron (nominal) rating, the economical Everpure prefilter traps much of the dirt which contributes to scale buildup in ice makers, and clogs the delicate orifices of other water-using equipment.

When you install an Everpure prefilter, the Hoshizaki 4HC-H water filters can concentrate on what they do best: remove particles one (1) micron nominal and larger in size.

### Replacement Cartridges:

E-10 Prefilters: 12 pack (9534-12)  
40 pack (9534-40)

E-20 Prefilters: 6 pack (9534-26)  
20 pack (9534-20)



### Warranty:

One Year replaceable elements\*  
One Year the entire system

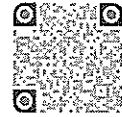
\* Warranty applies to material defects in materials & workmanship only.

Hoshizaki reserves the right to change specifications without notice.



# WATER FILTERS

## FILTRATION SYSTEMS

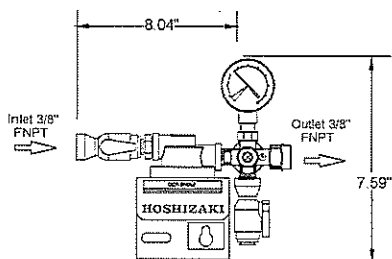


WATER FILTERS  
06/26/20  
Item # 13076

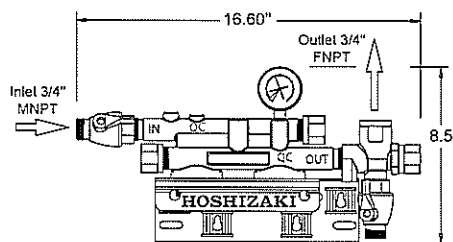


| Model Number | Description<br>Flow Rate<br>(Gal. per min.) | Undercounter<br>KMs   | KM Cubers  | IM Cubers   | Cubelets<br>& Flakers | DCM/DBs    |
|--------------|---|---|--|-------------|-----------------------|------------|
| H9320-51     | Single<br>(2 GPM)                           | AM-50<br>KM-81<br>KM-116<br>KM-161<br>KM-231<br>KM-301  | KM-350, 520, 660<br>KML-325, 500, 700<br>KMD-410, 460, 530<br>KMS-830<br>DKM-500 | IM-200, 500 | All Models            | All Models |
| H9320-52     | Twin<br>2 x (2 GPM)                         | N/A   | KM-901, 1100<br>KMD-860<br>KMS-822, 1122, 1402                                   | IM-50BAA-Q  | N/A                   | N/A        |
| H9320-53     | Triple<br>3 x (2 GPM)                       | N/A   | KM-1301, 1340, 1601,<br>1900, 2200, 2600<br>KMH-2100<br>KMS-2000                 | N/A         | N/A                   | N/A        |
| H9655-11     | Replacement<br>Cartridge<br>(1) One each    | Recommended water filter configurations based on average ice machine usage and regular filter replacement. If your operation has challenging water conditions or higher usage, then it may be necessary to use an additional filter or prefilter. |  |             |                       |            |

Single



Twin



Triple

