



Project \_\_\_\_\_  
 AIA # \_\_\_\_\_ SIS # \_\_\_\_\_  
 Item # 11 Quantity \_\_\_\_\_ C.S.I. Section 114000



## G-SERIES

3-Sections Freezer Reach-In  
 Self-Contained Solid Door(s)



### STANDARD PRODUCT FEATURES

- High Performance, Energy Efficient Refrigeration System
- Reliable Microprocessor Control With LED Temperature Display
- Evaporator Coil Outside Food Zone Provides More Usable Space
- Load-Sure Guard Prevents Problems From Improper Loading
- Durable All Metal Construction
- Stainless Steel Front & Doors, Anodized Aluminum Sides & Interior
- Full or Half Height Door Models with a Variety of Hinging Configurations
- Long Life EZ Clean Door Gaskets
- Three (3) Epoxy Coated Shelves Per Section (factory installed)
- Easy to Maintain Front Facing Condenser Coil
- 6" High Locking Casters
- Guaranteed for Life Door Handles & Hinges
- 3-Year Parts & Labor Warranty
- 2-Years Additional Compressor Parts Warranty



Many models are ENERGY STAR® listed. Please refer to [www.energystar.gov](http://www.energystar.gov) to view the most up-to-date product listing and performance data.



This unit is listed to the applicable UL, CSA and NSF Standards by an approved NRTL. Consult the factory or unit's data plate for approval information.

### ACCESSORIES & OPTIONS (\*field installed)

- ❑ Tray Slides for 18" x 26" Sheet Pans\*
- ❑ Tray Slides for 12" x 20" Food Pans\*
- ❑ Tray Slides for 14" x 18" Sheet Pans\*
- ❑ Tray Slides for 18" x 26, 12" x 20" & 14" x 18" Pans\*
- ❑ Additional Shelves\*
- ❑ 6" High Legs\*
- ❑ Lower Height Casters\*
- ❑ Optional Remote Applications

\*Please refer to form number TR35872 for precise kit details. See back page for tray slide versatility chart.

### AVAILABLE CONFIGURATIONS

#### Half-Height Door Models

G31300  
 G31301  
 G31302  
 G31303

Hinging  
 Left/Right/Right  
 Left/Left/Right  
 Right/Right/Right  
 Left/Left/Left

#### Full-Height Door Models

G31310  
 G31311  
 G31312  
 G31313

Hinging  
 Left/Right/Right  
 Left/Left/Right  
 Right/Right/Right  
 Left/Left/Left

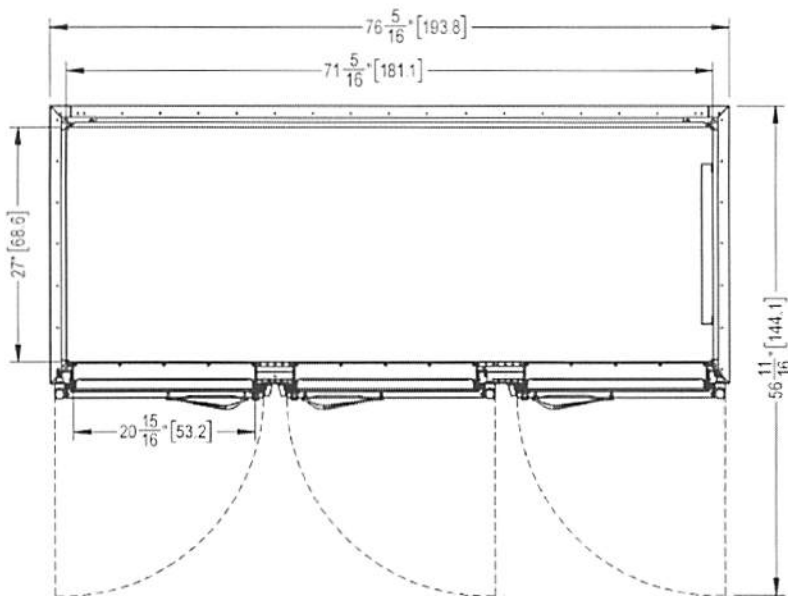
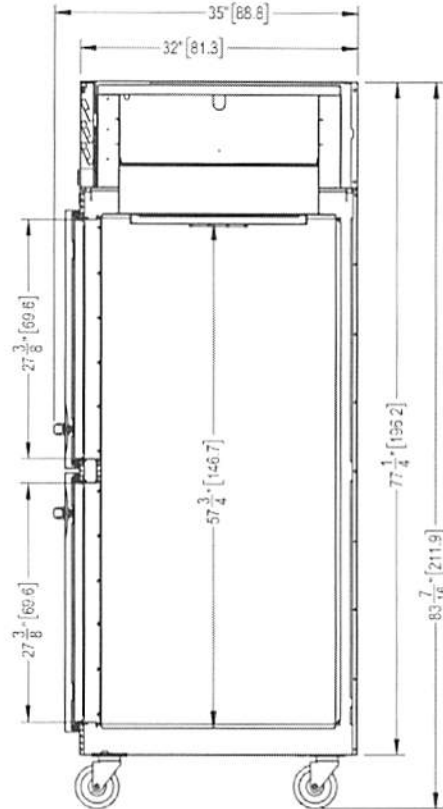
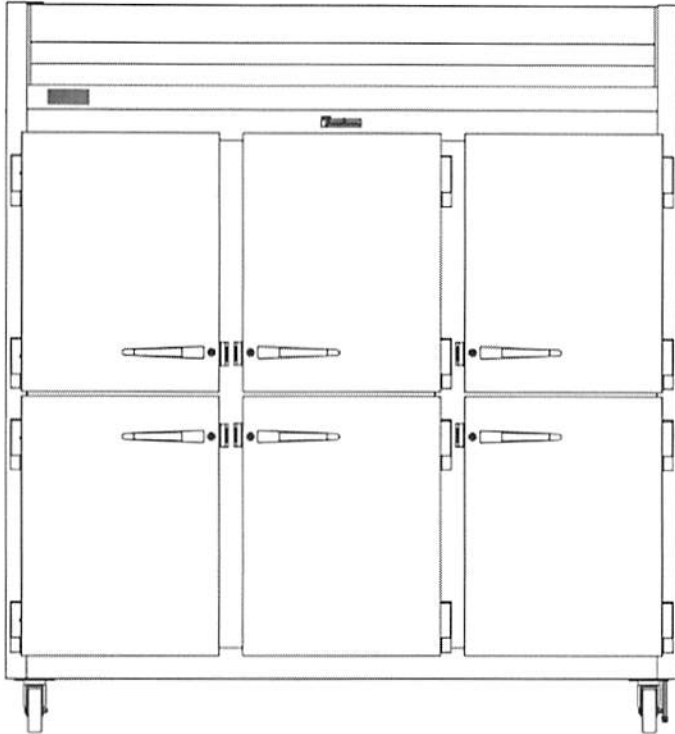
Approved by \_\_\_\_\_ Date \_\_\_\_\_ Approved by \_\_\_\_\_ Date \_\_\_\_\_



MODELS

Half Height Door Models: G31300, G31301, G31302, G31303

CLICK  
**TRANSFER**  
For KCL CADalog Website

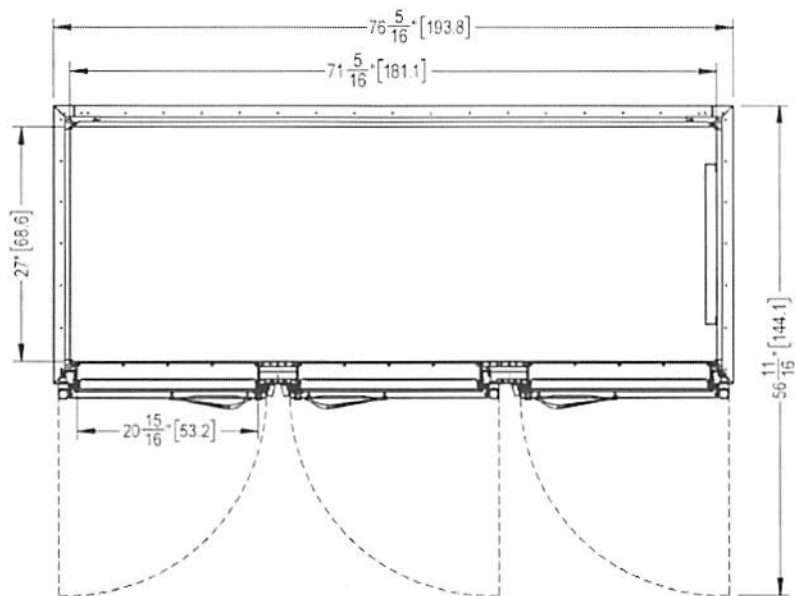
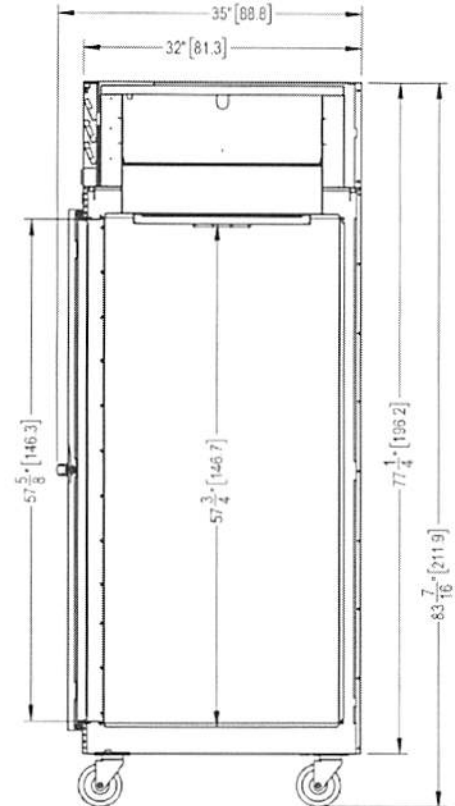
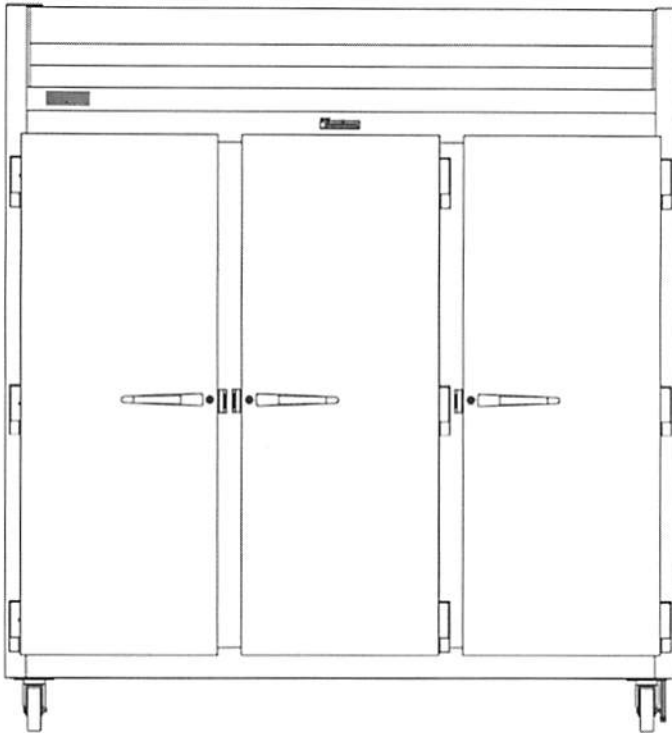


# G-SERIES

3-Sections Freezer Reach-In  
Self-Contained Solid Door(s)

## MODELS

Full Height Door Models: G31310, G31311, G31312, G31313





# G-SERIES

3-Sections Freezer Reach-In  
Self-Contained Solid Door(s)

## MODELS

Half Height Door Models: G31300, G31301, G31302, G31303

Full Height Door Models: G31310, G31311, G31312, G31313

MODELS	G313_ _
<b>DIMENSIONAL DATA</b>	
Net Capacity cu. ft. <sup>1</sup>	69.15 (1958 l)   69.35 (1964 l)
L x D x H - Overall in. <sup>2</sup>	76 <sup>5</sup> / <sub>16</sub> (193.8 cm) x 35 (88.8 cm) x 83 <sup>1</sup> / <sub>16</sub> (211.9 cm)
Depth - over body in.	32 (81.3 cm)
Depth - door open 90° in.	57 <sup>5</sup> / <sub>16</sub> (146.3 cm)
Clear half-door W x H in.	21 <sup>1</sup> / <sub>2</sub> (53.6 cm) x 27 <sup>1</sup> / <sub>2</sub> (69.9 cm)
Clear full-door W x H in.	21 <sup>1</sup> / <sub>2</sub> (53.6 cm) x 57 <sup>5</sup> / <sub>16</sub> (146.3 cm)
No. Standard Shelves	9
Shelf Area sq. ft. <sup>3</sup>	51.9 (4.82 sq m)
<b>ELECTRICAL DATA</b>	
Voltage   Plug	208-230/115/60/1   NEMA L14-20P (attached)
Feed wires with ground	4
Full Load Amperes   MDEC <sup>4</sup>	6.7   15.81 KWH/Day
<b>REFRIGERATION DATA</b>	
Refrigerant	R-404A
BTU/HR   H.P. <sup>5</sup>	3500   1 HP
Required Clearance	12" Above
<b>SHIPPING DATA</b>	
L x D x H Crated in.	91(231 cm) x 42 (107 cm) x 85 (216cm)
Volume Crated cu. ft.	188 (5324 l)
Uncrated   Crated Weight lbs.	615 (279 kg)   700 (318 kg)

### NOTES:

1. Net Capacity cu. ft. = Half Height Door | Full Height Door models.
2. Height shown when mounted on standard 6" high casters.
3. Figure shown reflects the area of standard shelf compliment.
4. MDEC = Maximum Daily Energy Consumption
5. Based on a 90°F ambient and -20°F evaporator. For remote data please refer to spec sheet TR35837.

## EQUIPMENT SPECIFICATIONS

### CONSTRUCTION, HARDWARE, INSULATION

Cabinet exterior front, louver assembly and door(s) are constructed of 20 gauge stainless steel. Cabinet sides (including returns), interior and door liners are constructed of anodized aluminum. The exterior cabinet top, back and bottom are constructed of heavy gauge galvanized steel. A set of four (4) 6" high locking casters are included. Doors are equipped with a gasket protecting, raised metal door pan, cylinder locks, and guaranteed for life self-closing cam-lift hinges with a stay open feature at 120 degrees. Hinges include a concealed switch to automatically activate the interior LED lighting. Guaranteed for life, metal work flow door handles are mounted horizontally over recess in door which limits protrusion into aisle ways. Gasket profile and durable long life material simplify cleaning and increase overall gasket life. Anti condensate heaters are located behind each door opening. Both the cabinet and door(s) are insulated with an average of 2" thick high density, non-CFC, 100% foamed in place polyurethane.

### SELF-CONTAINED REFRIGERATION SYSTEM

A top mounted, self-contained, balanced refrigeration system using R-404A refrigerant is conveniently located behind the one piece louver assembly. It features an easy to clean front facing condenser, thermostatic expansion valve metering device, air-cooled hermetic compressor, large, high humidity evaporator coil located outside the food zone and a top mounted non-electric condensate evaporator. A 9' cord and plug is provided. Standard operating temperature is 0 to -5°F and can be adjusted to operate as low as -10°F in a 90 degree F or less ambient.

### CONTROL

The easy to use water resistant microprocessor control is supplied standard. It includes a 3-Digit LED Display, and a Fahrenheit or Celsius Temperature Scale Display Capability.

### INTERIOR ARRANGEMENTS

Standard interior arrangements include three (3) epoxy coated steel wire shelves per section, mounted on shelf pins, installed at the factory. Shelves are full-width, and do not have any large gaps between them requiring the use of "bridge" or "junior shelves." Recommended load limit per shelf should not exceed 225 lbs.

### DOMESTIC WARRANTY

Both a three year parts and labor warranty and an additional two year compressor parts warranty (for a total of five on self-contained models) are provided standard.

## OPTIONAL ACCESSORY TRAY SLIDE VERSATILITY CHART

TRAY SLIDE DRAWINGS						
TRAY SLIDE OFFERING	#1 (1) 18"x26" or (2) 14"x18"	#4 (Rod Type) (1) 18"x26"	Universal (1) 18"x26" or (2) 14"x18" or (2) 12"x20"	#1 EZ-Change (1) 18"x26" or (2) 14"x18"	Universal EZ-Change (1) 18"x26" or (2) 14"x18" or (2) 12"x20"	HD Universal EZ-Change (1) 18"x26" or (2) 14"x18" or (2) 12"x20"
SPACING CAPACITY DOOR SIZE	2'28 Pairs Full Door & 13 Half 3'19 Pairs Full Door & 09 Half 4'14 Pairs Full Door & 07 Half 5'11 Pairs Full Door & 05 Half	1 1/2'38 Pairs Full Door (2 Pair) 1 1/2'18 Pairs Half Door (1 Pair)	4'14 Pairs Full Door & 06 Half! 4'14 Pairs Full Door & 07 Half! 5'11 Pairs Full Door & 05 Half 6'09 Pairs Full Door & 04 Half	2'26 Pairs Full Door & 12 Half 4'13 Pairs Full Door & 06 Half	2 1/4'22 Pairs Full Door & 11 Half 4 1/2'11 Pairs Full Door & 05 Half	4 1/2'11 Pairs Full Door & 05 Half 9'05 Pairs Full Door & 02 Half

- Upper Half Height Door<sup>1</sup>
- Lower Half Height Door<sup>2</sup>

CONTINUED PRODUCT DEVELOPMENT MAY NECESSITATE SPECIFICATION CHANGES WITHOUT NOTICE.