



POWERPAN™ SERIES

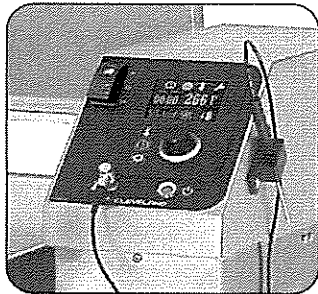
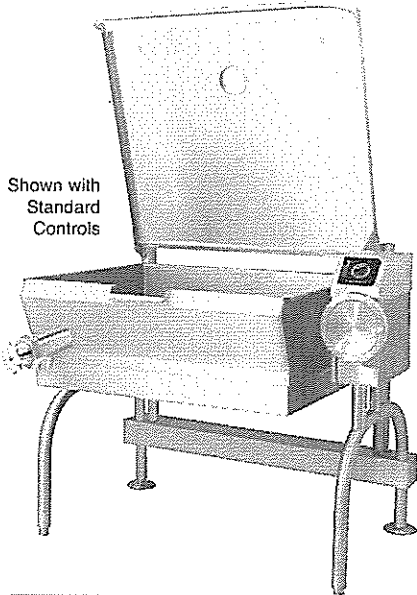
ELECTRIC, 35" RIM HEIGHT,,
30 & 40 GALLON (110 & 150 LITER)

Project _____
 Item _____
 Quantity _____
 FCSI Section 11400 _____
 Approved _____
 Date _____

Braising Pans / Tilting Skillets

Models

- SEL-30-T1 • SEL-40-T1



easyDial and Core Temperature Probe options

Standard Features

- Open base design for easy cleaning and maintenance.
- 5/8" Stainless Steel Bead Blasted cooking surface prevents warping and keeps food from sticking.
- Durable 12 gauge, 304 Stainless Steel pan construction. 5/8" (16mm) mild steel clad bottom plus a 1/16" (1.6mm) Stainless Steel plate for even temperature distribution.
- Low 35" rim height for easy operation and cleaning.
- Splash Proof Controls and construction.
- Easy-to-turn manual hand tilt with enclosed permanently lubricated gearbox. Optional power tilt with manual override available.
- Gallon/Liter Markings and Vented Spring Assist Cover standard.
- Available with Optional 2" Tangent Draw-Off Valve.
- 10° Cooking Feature. Tilt unit up to 10° without the power being turned off.
- Adjustable, Electronic Thermostat accurately controls temperature from 100° to 450° F.
- Standard Voltages 208-240, single and three phase.
- Spring-Assist Cover with full width handle and vent.
- Typical approvals include UL, CSA, CE and NSF.
- Adjustable Solid State Thermostat accurately controls temperature from 140°F to 425°F.

Standard Control Panel includes:

Temperature Control Dial, LED ON Indicator Light, Main Power Switch.

easyDial Control Panel (optional) includes:

Selector Dial with LED Ring, Large Display Screen, Three Cooking Modes, Built-In Self-Diagnostics and Display, Temperature Select Button, Timer Set Button (Hrs/Min), Settings Button, Main Power Button, Probe Connection Port, LED Indicator Lights for Heat-ON, Product Probe, Temperature, Time, Settings, Self-Diagnostics.

Options & Accessories

- easyDial Control
- Core Temperature Probe Option
- Power Tilt with Manual Override (PT2)
- 2" (50 mm) Tangent Draw-Off Valve (TD2SK), left side only
- Double or Single Pantry Faucet (SPS14, DPS14), includes Faucet Mounting Bracket
- Faucet Bracket (FBKT1)
- Pan Carriers (PCS), not available on 30 gallon models with a Tangent Draw-Off Valve • Vegetable Steamer Baskets (VS)
- Hot & Cold Water Pre-Rinse Spray Head with Hose (PRS-S)
- Poaching Pans (PP)
- Protective Control Cover (CP-PCB-T1)
- Casters, 2 swivel, 2 locking (CST1)
- High Wattage Option (HW) (required for CE) 16KW on 30 gallons, 24KW on 40 gallons
- Voltage Options:
 - VOSK1, 240 Volt, 60 Hz, 3 Phase
 - VOSK2, 380/415 Volt, 50 Hz, 3 Phase - for export
 - VOSK3, 440/480 Volt, 60 Hz, 3 Phase

Short Form Specifications

Shall be CLEVELAND, Tilting Skillet Model Number SEL-__-T1, electric (____ KW, ____ Volts) holding no less than ____ gallons (____ liters); Complete with Thermostatic and Safety Controls, Gallon/Liter Markings, 5/8" Stainless Steel Clad Cooking Surface with Bead Blasted Finish, Easy to use Manual Hand Tilt with Enclosed Permanently Lubricated Gearbox, Spring Assist Cover with adjustable Vent, Adjustable Feet with Rear Flanged and Front Bullet Style, Gallon/Liter Markings and Splash Proof Controls.

KE004046-88

18301 St. Clair Street
Cleveland, OH 44110

Tel 1.216.481.4900
Fax 1.216.481.3782
Email steam@clevelandrange.com

www.clevelandrange.com
Section 9, Page 9
5669A G / 2019



DIMENSIONS

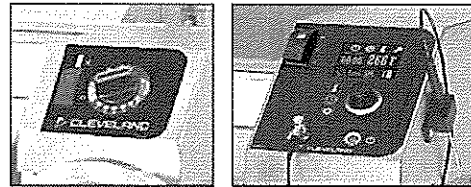
| MODEL | A | B | C | D | F | G | H | CLEARANCE |
|-----------|----------|---------|----------|---------|---------|---------|--------|--|
| SEL-30-T1 | 37 7/8" | 24 1/2" | 31 3/4" | 12" | 18 1/4" | 5 3/4" | 3" | RIGHT: 4" (102mm) (manual tilt) 1" (25mm) (power tilt) |
| | (962mm) | (622mm) | (807mm) | (305mm) | (464mm) | (146mm) | (76mm) | |
| SEL-40-T1 | 49 7/8" | 35 1/2" | 43 3/4" | 18" | 24 1/4" | 5 3/4" | 3" | LEFT 0" REAR 0" |
| | (1267mm) | (922mm) | (1112mm) | (458mm) | (616mm) | (146mm) | (76mm) | |

CAPACITIES

In 4 oz. servings Other sizes may be calculated.
 30 gallons / 115 Liters 960
 40 gallons / 150 Liters 1280

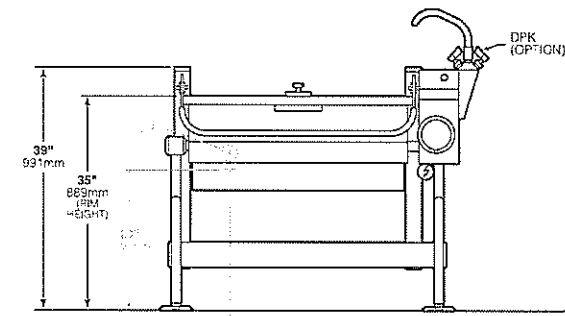
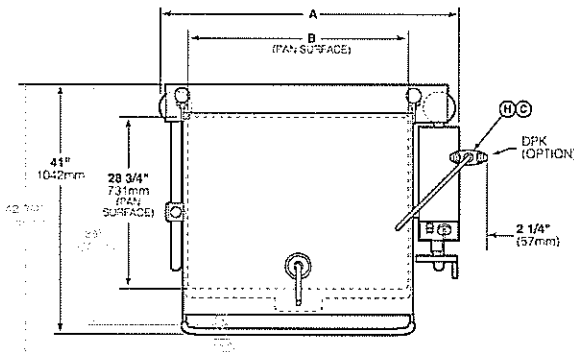
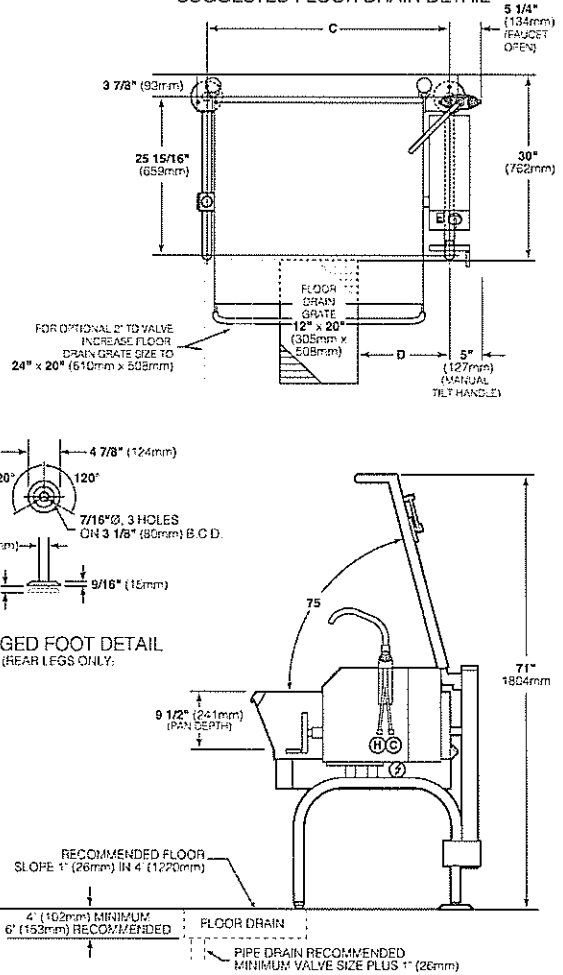
ELECTRICAL

| Volts | Ph | Hz | Total Watts | Amps | Wire Size |
|-------------------------------------|----|----|-------------|------|-----------|
| SEL-30-T1 (Standard Wattage) | | | | | |
| 208 | 1 | 60 | 12000 | 57.7 | 4 |
| 208 | 3 | 60 | 12000 | 33.3 | 8 |
| 240 | 1 | 60 | 12000 | 50.0 | 6 |
| 240 | 3 | 60 | 12000 | 28.9 | 8 |
| 380 | 1 | 50 | 10013 | 26.3 | 8 |
| 380 | 3 | 50 | 10013 | 15.2 | 12 |
| 416 | 1 | 50 | 12000 | 28.8 | 8 |
| 416 | 3 | 50 | 12000 | 16.7 | 10 |
| 480 | 1 | 60 | 12000 | 25.0 | 8 |
| 480 | 3 | 60 | 12000 | 14.4 | 12 |
| SEL-30-T1 (High Wattage) | | | | | |
| 208 | 1 | 60 | 16020 | 77.0 | 3 |
| 208 | 3 | 60 | 16020 | 44.5 | 6 |
| 240 | 1 | 60 | 16020 | 66.8 | 4 |
| 240 | 3 | 60 | 16020 | 38.5 | 6 |
| 380 | 1 | 50 | 13367 | 35.2 | 8 |
| 380 | 3 | 50 | 13367 | 20.3 | 10 |
| 416 | 1 | 50 | 16020 | 38.5 | 6 |
| 416 | 3 | 50 | 16020 | 22.2 | 10 |
| 480 | 1 | 60 | 16020 | 33.4 | 8 |
| 480 | 3 | 60 | 16020 | 19.3 | 10 |
| SEL-40-T1 (Standard Wattage) | | | | | |
| 208 | 1 | 60 | 18000 | 86.5 | 2 |
| 208 | 3 | 60 | 18000 | 50.0 | 6 |
| 240 | 1 | 60 | 18000 | 75.0 | 3 |
| 240 | 3 | 60 | 18000 | 43.3 | 6 |
| 380 | 1 | 50 | 15019 | 39.5 | 6 |
| 380 | 3 | 50 | 15019 | 22.8 | 10 |
| 416 | 1 | 50 | 18000 | 43.3 | 6 |
| 416 | 3 | 50 | 18000 | 25.0 | 8 |
| 480 | 1 | 60 | 18000 | 37.5 | 6 |
| 480 | 3 | 60 | 18000 | 21.7 | 10 |
| SEL-40-T1 (High Wattage) | | | | | |
| 208 | 3 | 60 | 24000 | 66.6 | 4 |
| 240 | 3 | 60 | 24000 | 57.7 | 4 |
| 380 | 3 | 50 | 20026 | 30.4 | 8 |
| 416 | 3 | 50 | 24000 | 33.3 | 8 |
| 480 | 3 | 60 | 24000 | 28.9 | 8 |



Standard Control Panel

easyDial Control Panel with Core Temperature Probe

LEG LOCATION & SUGGESTED FLOOR DRAIN DETAIL


NOTE: OPTIONAL 2" TO VALVE SHOWN IN GRAY

NOTES:

Cleveland Range reserves right of design improvement or modification, as warranted.
 Many regional, state and local codes exist and it is the responsibility of the owner and installer to comply with the codes.
 Cleveland Range equipment is built to comply with applicable standards for manufacturers. Included among those approval agencies are U.L., NSF, CGA, CSA, ETL and others.

(NOT TO SCALE)

 18301 St. Clair Street
 Cleveland, OH 44110

 Tel 1.216.481.4900
 Fax 1.216.481.3782
 Email steam@clevelandrange.com

 www.clevelandrange.com
 Section 9, Page 10
 6 / 2019
