

KCS

Mobile Cashier's Counters

Project _____
Item _____
Quantity _____
CSI Section 11400
Approved _____
Date _____

KCS: Mobile Cashier's Counters

Models

- KCS-30 30.00" (76cm) deep mobile cashier's counter
- KCS-36 36.00" (91cm) deep mobile cashier's counter
- KCS-50 50.00" (127cm) deep mobile cashier's counter



KCS-30
Shown with stainless steel
fold-down work shelf

Standard Features

- One piece, molded fiberglass pylon (base), fully rounded corners, permanent color
- All corners and center sides reinforced with galvanized bracing, laminated into the fiberglass
- 14-gauge tops
- Fire Code rating on fiberglass, laminate, canopy materials
- All units are standard on 5" diameter polyurethane swivel casters for easy cleaning
- Caster mounting plates laminated into base
- Easy to use stainless steel interlock system is standard on base and tray slides
- All body cutouts reinforced with 14-gauge channel supports
- Additional warranties available, see below
- A 3" grommet hole is located at the rear of the top to allow cord access for cash registers
- Stainless steel locking cash drawer standard
- Stainless steel under shelf can serve as foot rest or storage
- All body cutouts reinforced with 14-gauge

channel supports

- One year parts and 90 day labor standard warranty

Options & Accessories

- Stainless steel fold-down tray slide
- Three-bar fold-down tray slide
- Composite fold-down cutting boards
- Stainless steel fold-down work shelf
- Line-up interlock device
- 120V/60Hz/1Ø, 10 amp convenience outlet with breaker*
- Stainless steel trim strips
- Stainless steel end drop shelf
- Molded fiberglass trim strips
- Adjustable height casters
- 6" (15cm) high adjustable stainless steel bullet feet in lieu of casters

* Inclusion of these options will alter the electrical specifications of unit

Specifications

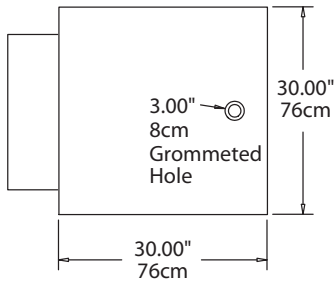
Exterior Body is seamless, one-piece molded fiberglass, having perfectly smooth exterior surface with all corners fully rounded. The fiberglass reinforced polyester (F.R.P.) is molded with permanent color. Stress points are internally reinforced.

Interior Lining at the cashier's end is 18-gauge stainless steel, with a stainless steel bottom shelf. Unit has an 16.50" x 16.50" x 5.00" (42cm x 42cm x 13cm) stainless steel cash drawer with lock and key.

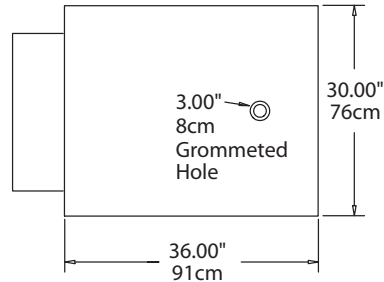
Exterior top is constructed of 14-gauge stainless steel, welded, ground and polished into one integral unit. Top is fabricated with square exterior corners. A 2.00" (5cm) ferruled hole is located at the rear of the top to allow cord access for cash registers.

Castors; unit is mounted on 5.00" (13cm) diameter swivel casters with non-marking polyolefin tires and plate brakes. Overall height of caster assembly is 6.00" (15cm).

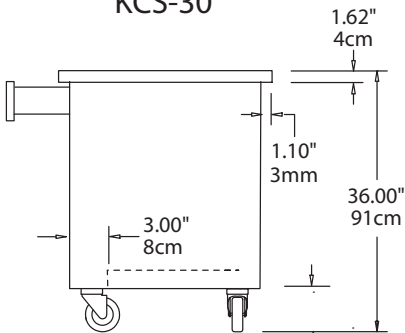




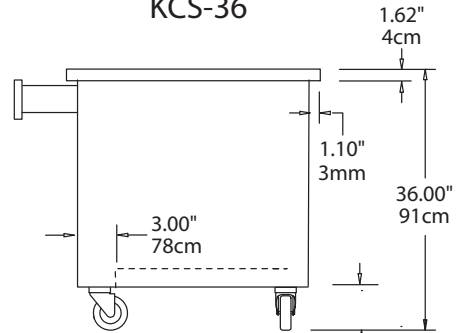
Plan View
KCS-30



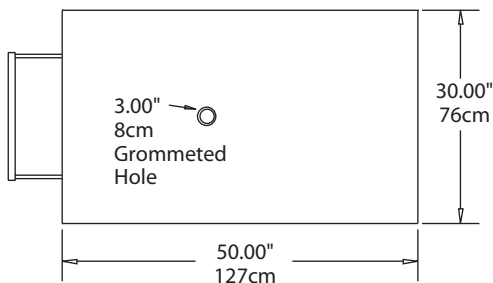
Plan View
KCS-36



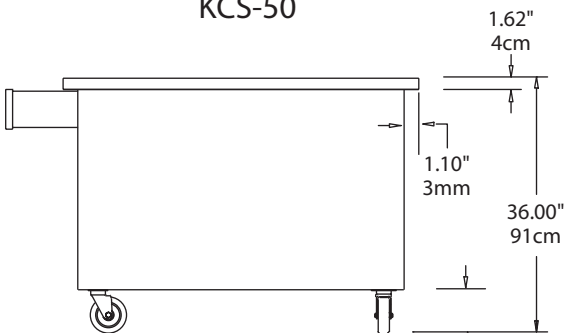
End View
KCS-30



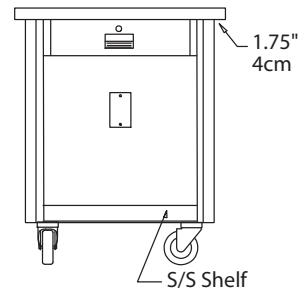
End View
KCS-36



Plan View
KCS-50



End View
KCS-50



Elevation View
All Models

Specifications	
Model	Ship Weight
KCS-30	180 lbs/ 82 kg
KCS-36	210 lbs/ 95 kg
KCS-50	270 lbs/ 122 kg

Mobile Cashier's Counters

KCS

Delfield reserves the right to make changes to the design or specifications without prior notice.